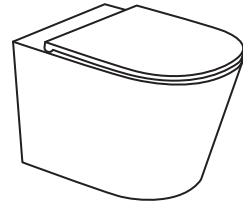


Wall - hung toilet

bathco

info@bathcogroup.com

Antequera
Ref. 4567



INSTALLATION INSTRUCTIONS

Before proceeding with installation, please read these instructions carefully to familiarise yourself with the required tools, materials and installation sequences. Please leave these instructions for the consumer after installation.

Prior to installation, inspect the toilet to ensure that no damage has occurred in transit. If damage has occurred, or a visible defect exists, do not proceed with installation, and advise your supplier immediately.

CAUTION: risk of personal injury or product damage. Handle with care. Porcelain can be broken or chipped if the product is handled carelessly.

- Observe all local plumbing and building codes.
- Carefully inspect the new toilet for damage.
- If the existing toilet does not have a supply shut-off valve below the cistern, install one before installing the new toilet.

Tools and material required



Tape measure



Level



Safety glasses



Pencil



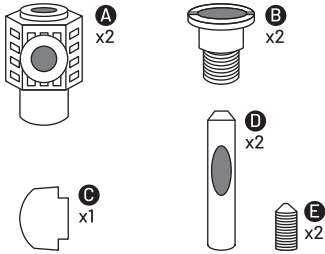
Allen key



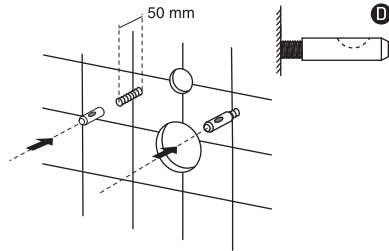
Caulking gun

Installation via seat cover installation hole

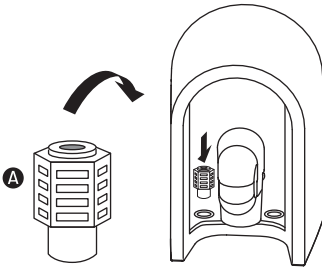
1 Parts identification



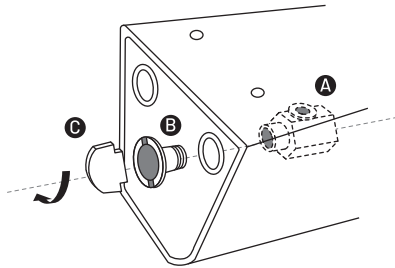
2 Installing D into the screw rod and keeping screw notch vertically upward.



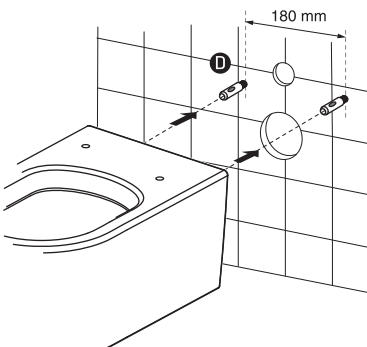
3 Check the shut-off valve position.



4 Insert B into A. Insert part C into B to rotate.



5 Fix to wall.



6 Installation E into the screw hole of D. Fixing it on the mounting.

