

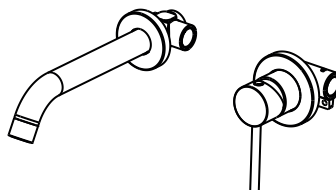
Wall-mounted basin mixer

bathco

info@bathcogroup.com

Tasos

Ref. 18097



INSTALLATION INSTRUCTIONS

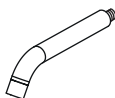
Before proceeding with installation, please read these instructions carefully to familiarise yourself with the required tools, materials and installation steps. Please leave these instructions for the consumer after installation.

Prior to installation, inspect the basin mixer to ensure that no damage has occurred in transit. If damage has occurred, or a visible defect exists, do not proceed with installation, and advise your supplier immediately.

Tools and material required



Allen key



Spout



Handle



Wall flanges



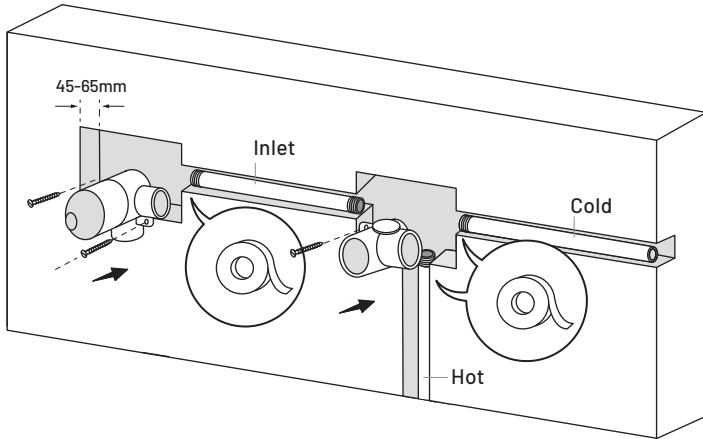
Spout wall body



Faucet wall body

Installation

- 1** Before installation, please dig a proper wall position with depth 46-55 mm, and flush the inside and outside dirt. Fix the faucet wall body, then fasten the screws.
- 2** The same method as 1 to fix the spout wall body to wall, then fix the spout connector to spout wall body by 8 mm. allen key.



- 3** Turn on the valves to check if any leakage, fix the flange for wall body to the faucet wall body, while fix the flange to spout wall body.
- 4** Fix the spout to the body to body, while take off the protective sleeve and fix the handle to faucet wall body.

