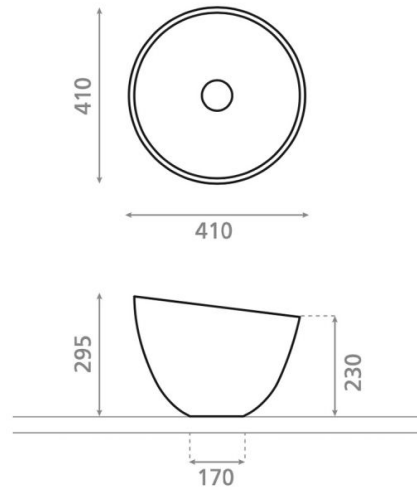


# Kilimanjaro

**Ref. 4171**  
410x295 mm.



## Features

Available colors:

