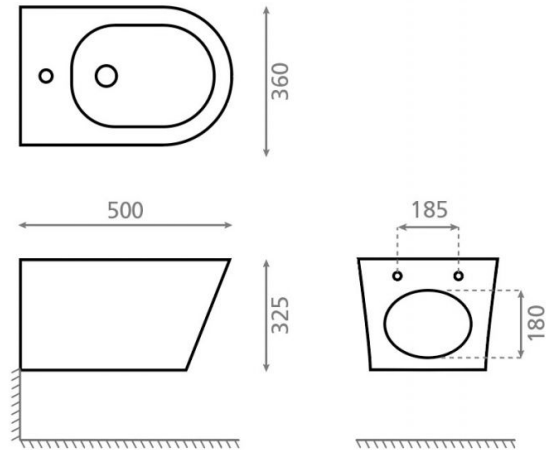


# Antequera

## Ref. 4569

515x360x325 mm.



### Features

Back to wall

Net weight: 20

Gross weight: 22

Packaging: 520x370x375 mm.

