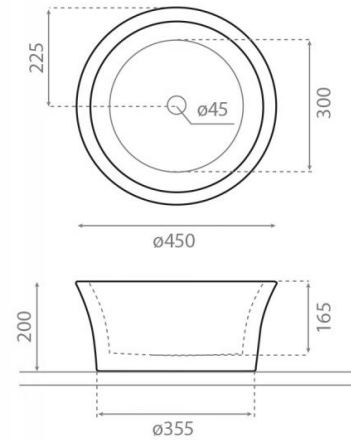


Manila

Ref. 00327

450x200 mm



Features

Stone washbasin, Natural Series Collection.
No wall-mounting possibility.
Without overflow.
Net weight 27kg, gross weight 28kg.
Units per pallet: 16.

Available colors:

